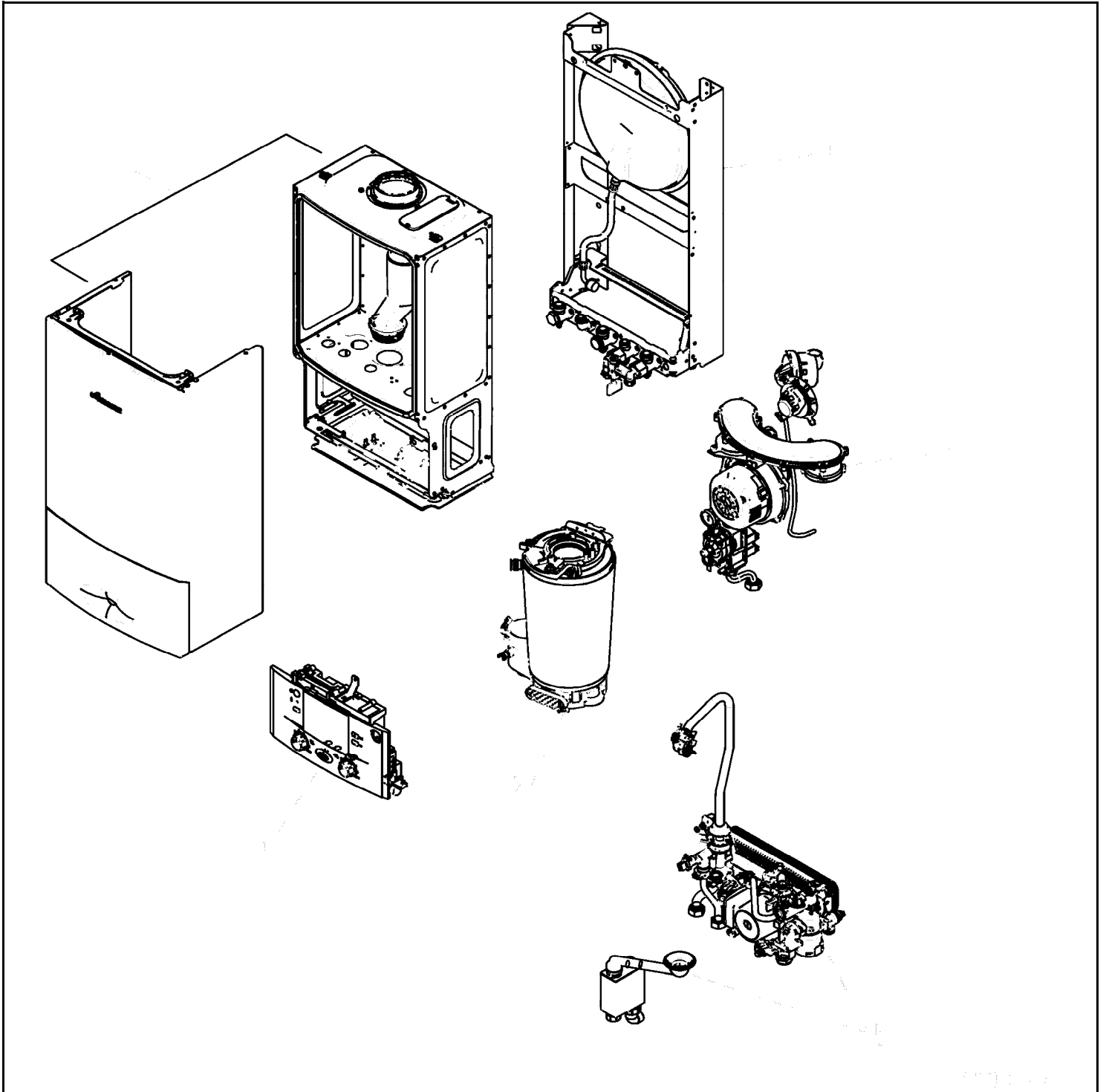
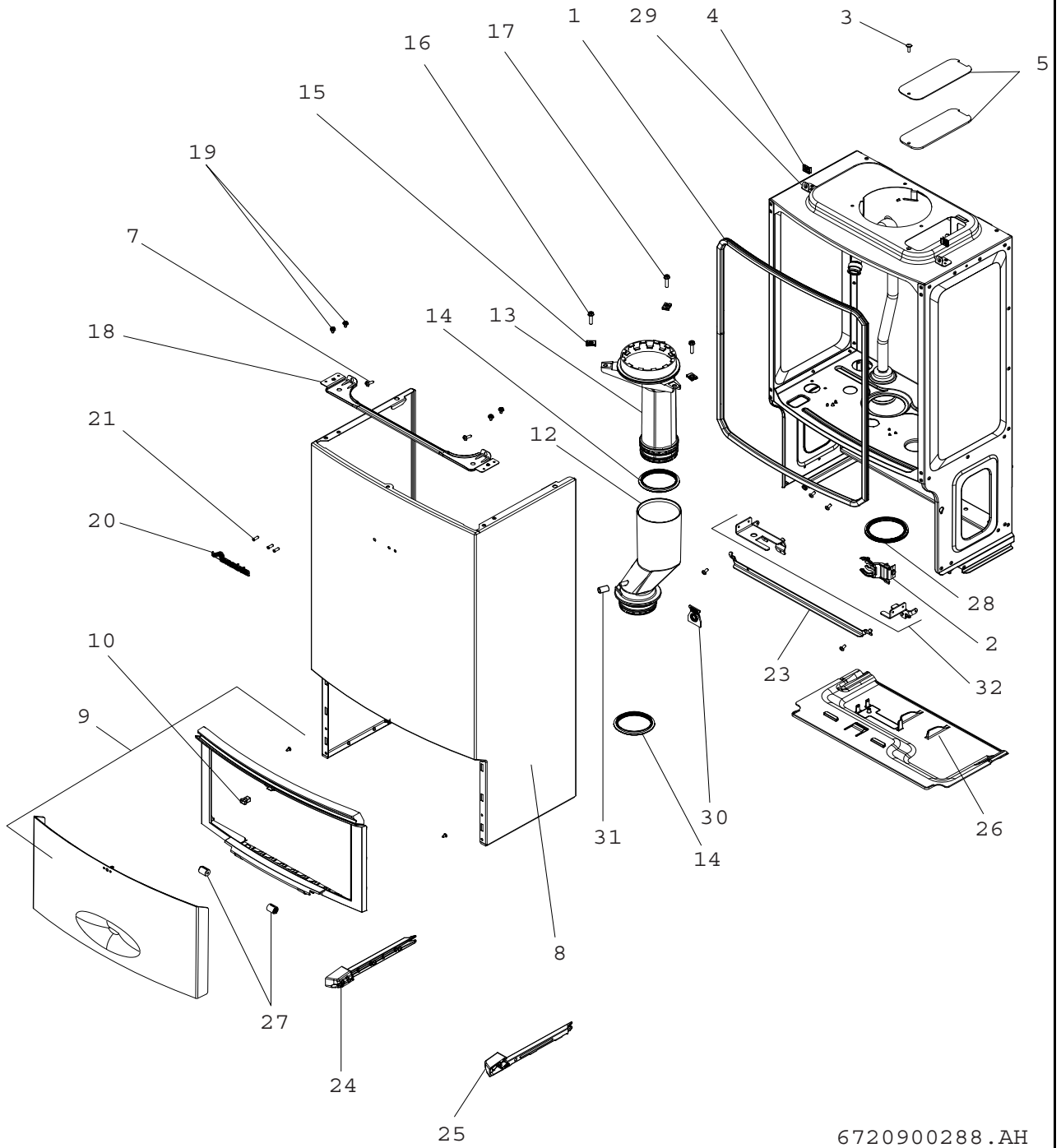


GREENSTAR 24/28I JUNIOR



Spare parts list



6720900288.AH

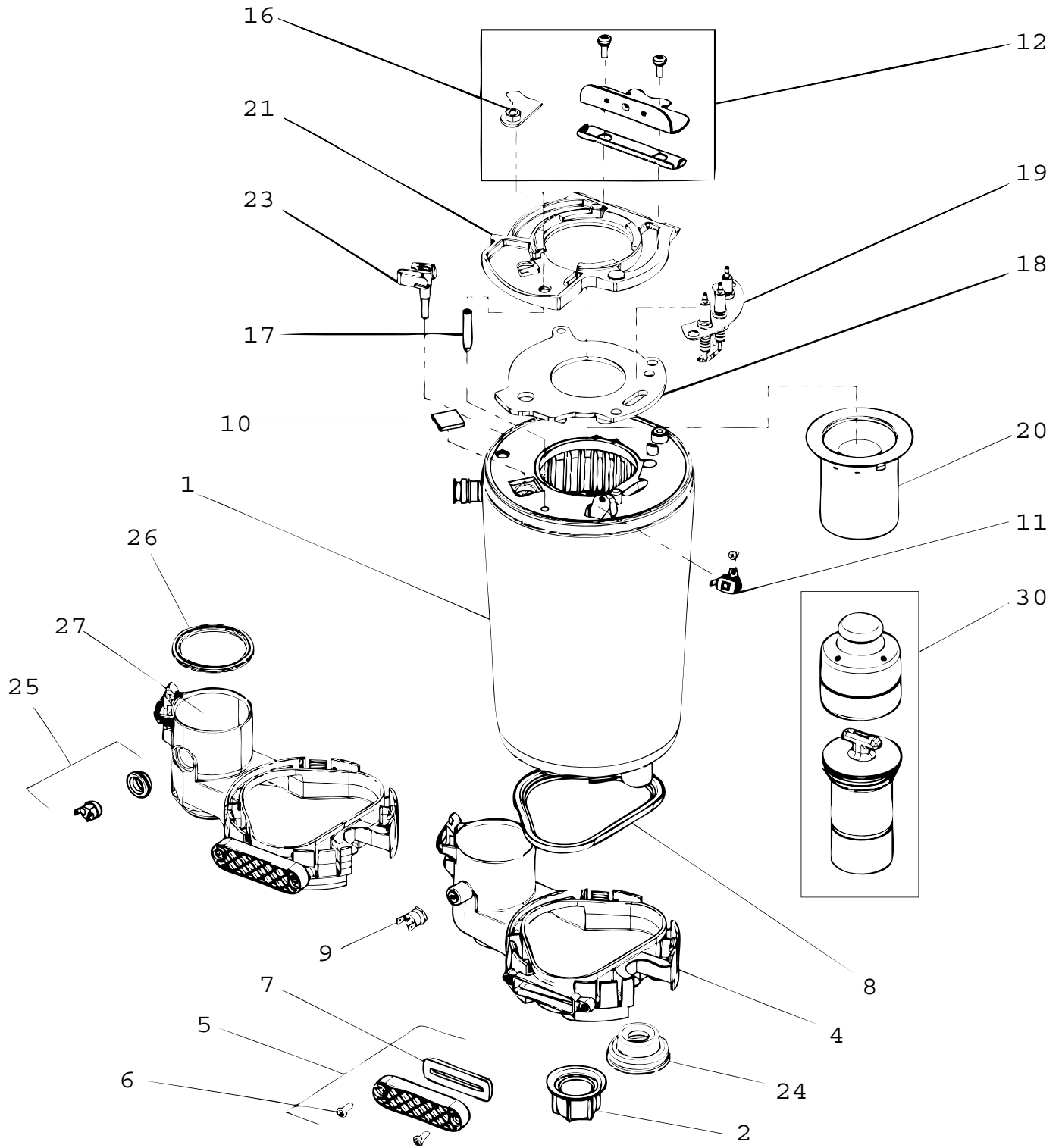
Casing
D

1

24i 28i

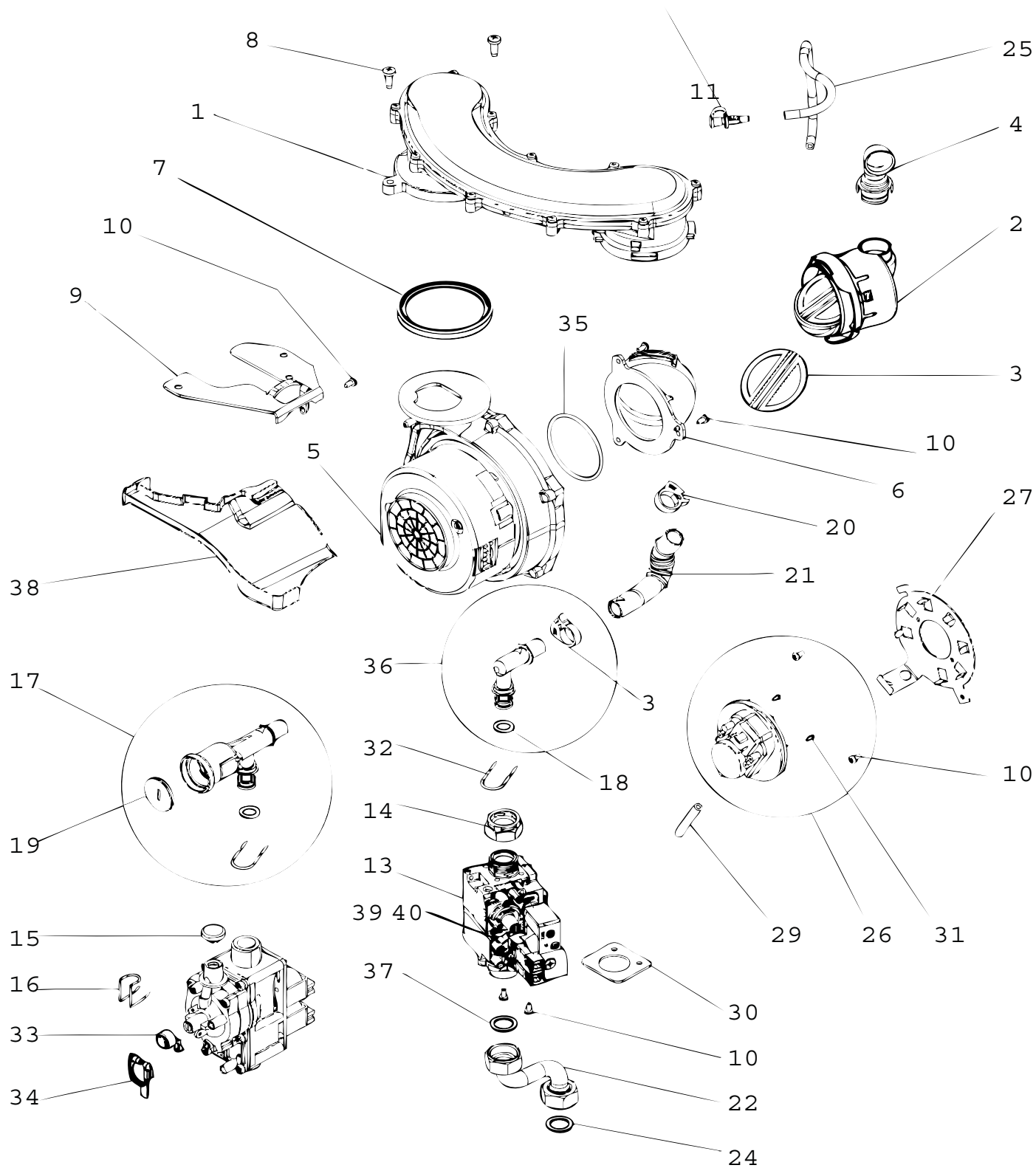
Pos	description	S-Nr	ordering no.	PG	gas type																remarks
1	Seal - Inner Case / Mantel		8 716 106 635 0	25			■	■													
2	Bracket pressure gauge		8 716 106 519 0	16			■	■													
3	Screw no.8x1/2 f/h type b self tap.		2 912 421 225 0	16			■	■													
4	Nut u-type no8		8 716 148 524 0	15			■	■													
5	Cover - Inspection & Gasket		8 716 106 517 0	17			■	■													
7	No8 x 16 Pozi FL HD ST MS ZP		2 912 421 026 0	11			■	■													
8	Outer case assembly		8 716 106 596 0	46			■	■													
9	Control cover assembly		8 716 106 594 0				■	■													
10	Retaining Catch		8 713 204 017 0	16			■	■													
12	Flue Tube - Lower		8 716 106 940 0	24			■	■													
13	Flue Tube - Upper		8 716 106 939 0	30			■	■													
14	Seal exhaust (10x)		8 711 004 321 0	20			■	■													
15	Nut		8 710 609 015 0	12			■	■													
16	Screw 4.8 hex head		8 713 403 036 0	14			■	■													
17	Washer 80MM		8 711 004 232 0	15			■	■													
18	Cross member		8 716 106 538 0	23			■	■													
19	Serrated screw M4 x 7		8 716 106 622 0	13			■	■													
20	Badge		8 716 106 808 0	21			■	■													
21	Panel Bush		8 716 106 752 0				■	■													
23	Tie bar		8 716 106 525 0	21			■	■													
24	Runner assembly lh		8 716 106 593 0	17			■	■													
25	Runner assembly rh		8 716 106 592 0	17			■	■													
26	Panel Bottom		8 716 113 846 0				■	■													
27	Hinge		8 713 204 016 0	26			■	■													
28	Gasket Sump		8 716 113 829 0		LPG,NG		■	■													After FD887
29	Bracket Mantel Fixing		8 716 106 516 0				■	■													
30	Grommet		8 718 681 048 0		LPG,NG		■	■													After FD887
31	Protective cap (10x)		8 710 506 161 0	12	LPG,NG		■	■													After FD887
32	Bracket Set		8 716 106 631 0				■	■													
24i 28i			Casing D																		1

Spare parts list

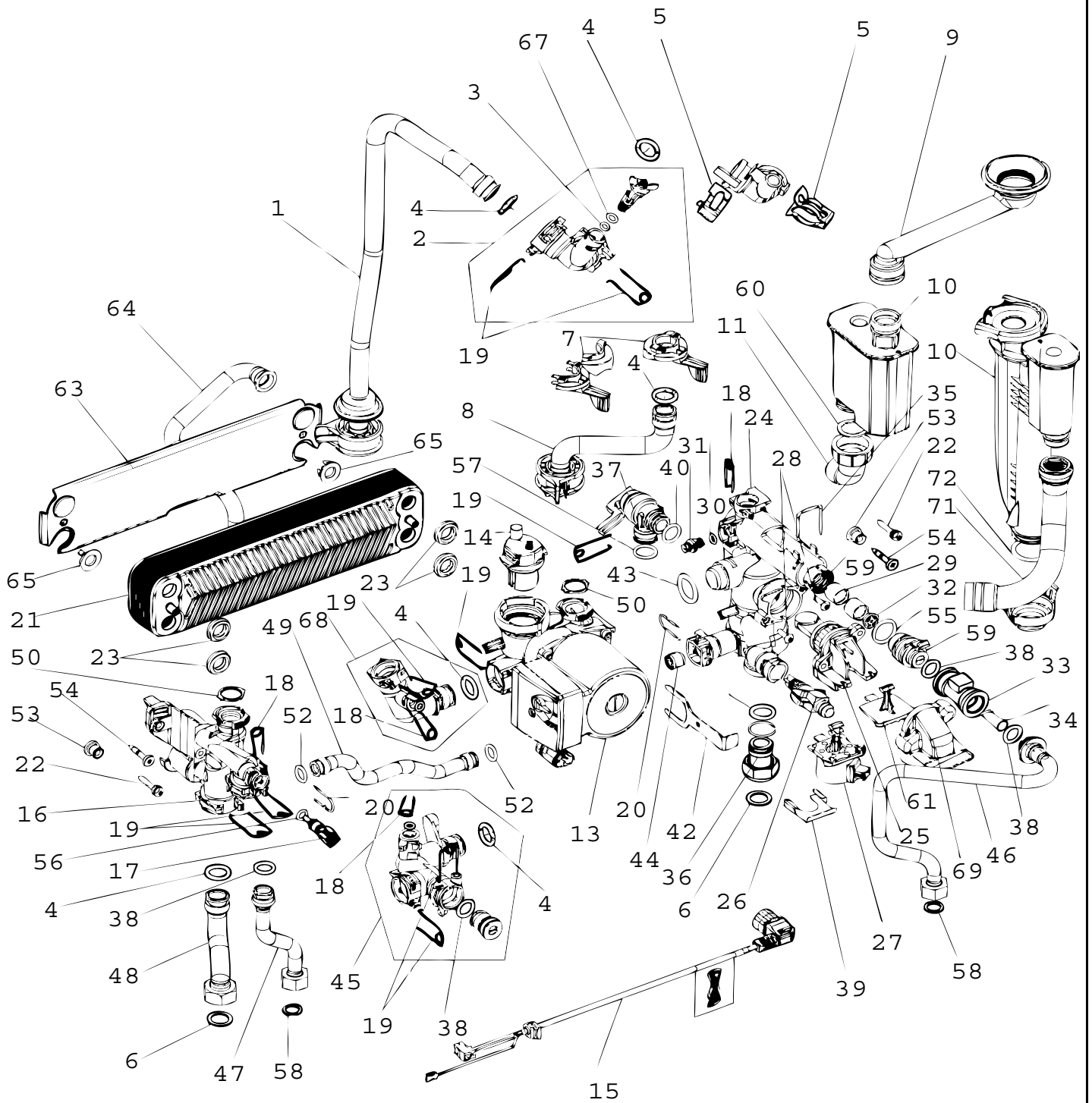


Pos	description	S-Nr	ordering no.	PG	gas type	24i	28i													remarks
1	Heat exchanger assembly 18-24 kW		8 716 107 055 0	62	LPG,NG	■	■													Before FD887
1	Heat exchanger assembly 18/30kw		8 716 115 375 0		LPG,NG	■	■													After FD888
2	Nut		8 713 301 114 0	09		■	■													
4	Condensate Sump Assembly		8 715 406 924 0	31	LPG,NG	■	■													Before FD886
5	Cover - Service Access		8 715 503 528 0	14		■	■													
6	Screw M5x14 Pan Head Pozi ZP		2 918 160 156 0	14		■	■													
7	Seal		8 710 103 191 0	17		■	■													
8	Seal		8 711 004 324 0	19		■	■													
9	Temperature limit sensor		8 722 963 858 0	23		■	■													
10	Inspection window		8 715 600 018 0	11		■	■													
11	High Limit Stat 120 dec		8 707 206 196 0	17		■	■													
12	Retaining kit		8 743 401 091 0	19		■	■													
16	Flanged Nut		8 713 301 180 0	14		■	■													
17	Threaded Stud M8 x 45		8 713 104 051 0			■	■													
18	Gasket Burner WB6		8 716 110 534 0	24		■	■													
19	Electrodes		8 718 107 087 0	31		■	■													
20	Burner		8 718 120 619 0	40		■	■													
21	Air/gas manifold clamp plate		8 716 106 471 0	26		■	■													
23	Control sensor		8 716 106 688 0			■	■													
24	Seal		8 716 106 840 0	18		■	■													
25	Temperature limiter assy		8 710 506 267 0	34		■	■													
26	Gasket Sump		8 716 113 829 0		LPG	■														After FD887
26	Gasket Sump		8 716 113 829 0		LPG,NG		■													After FD887
26	Condensate Sump Assembly		8 718 681 362 0		NG	■														After FD887
27	Condensate Sump Assembly		8 718 681 362 0		LPG,NG	■	■													After FD887
30	Baffle set		8 716 107 046 0	41		■	■													
24i 28i			Heat exchanger D																	2

Spare parts list

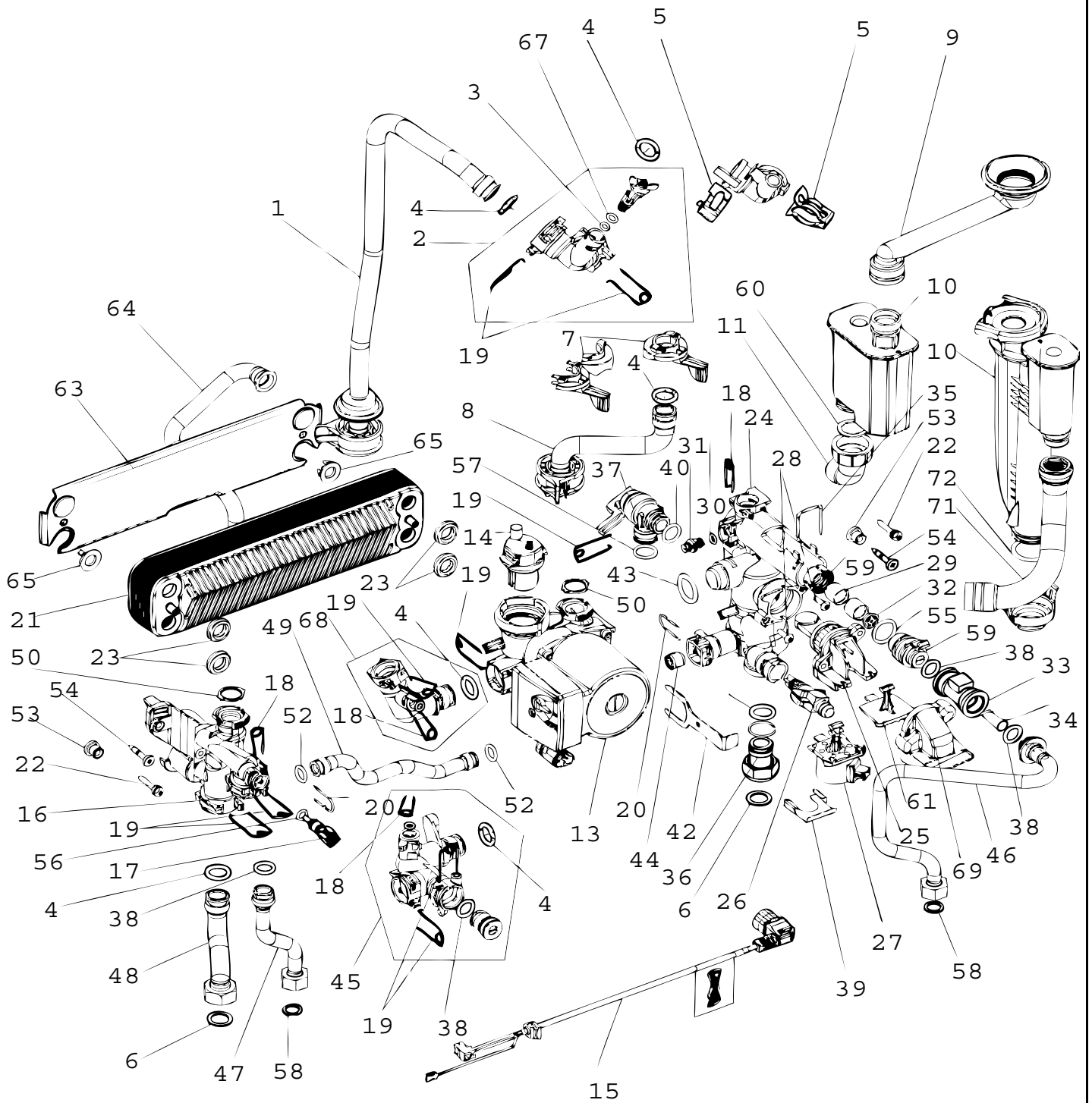


Spare parts list



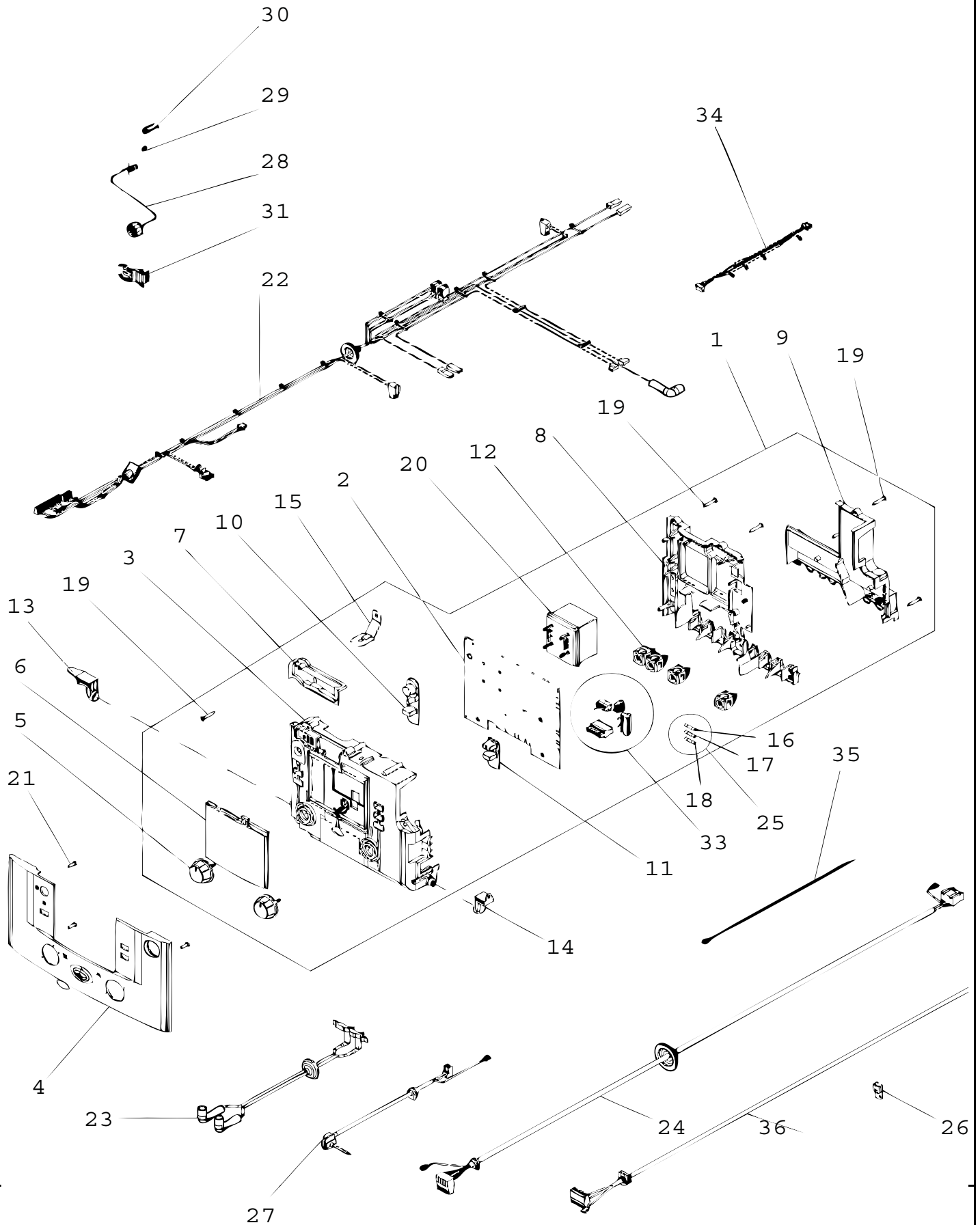
6720900289.AF

Spare parts list



6720900289.AF

Spare parts list

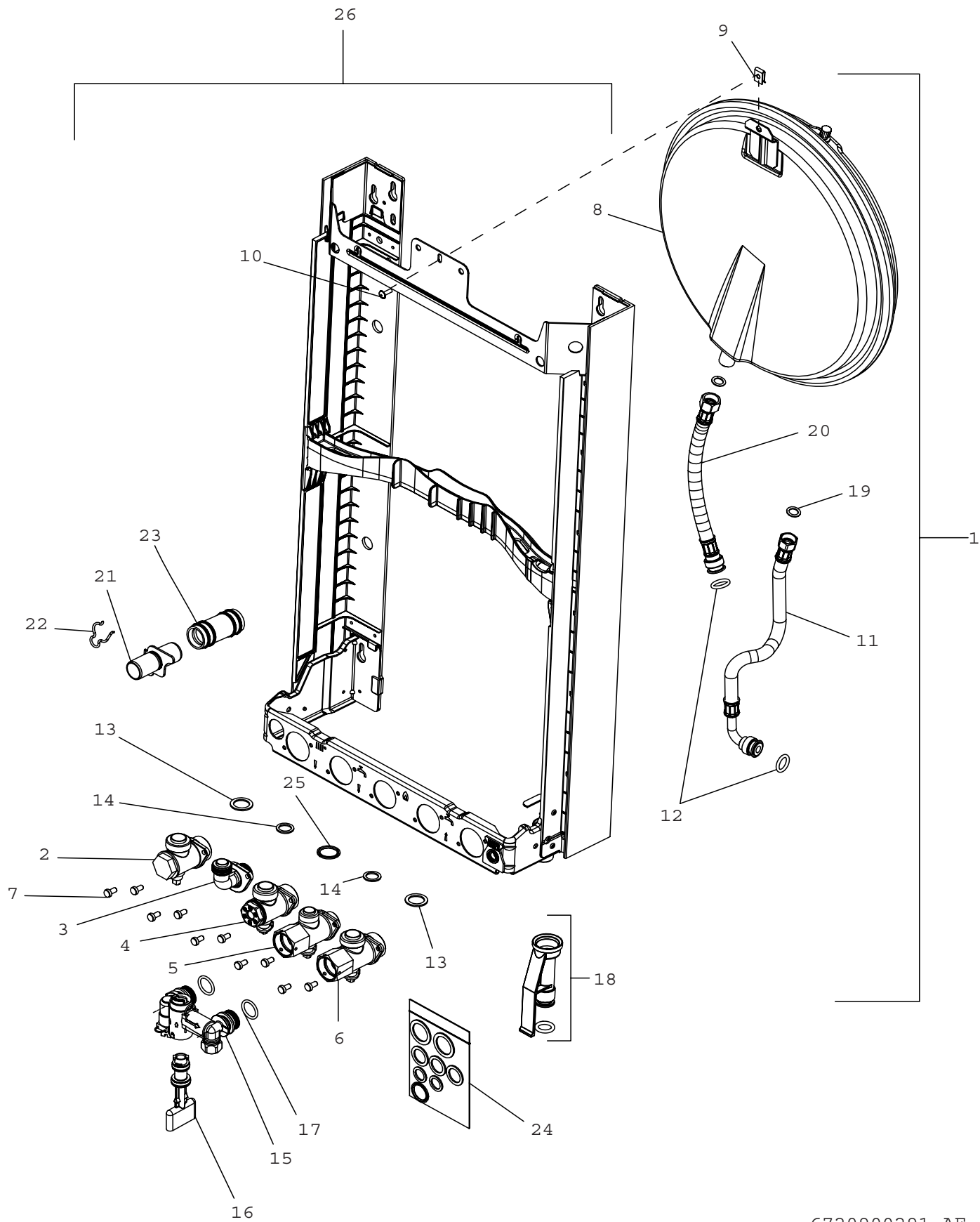


6

672090029AC

Pos	description	S-Nr	ordering no.	PG	gas type																remarks
1	Control Box assembly		8 717 207 667 0		LPG,NG	■	■														Before FD886
1	Control_box HT3 LOW MkII Wo		8 717 207 866 0		LPG,NG	■	■														After FD887
2	Printed circuit		8 716 109 539 0			■	■														
3	Front Housing		8 716 109 541 0			■	■														
4	Cover LOW		8 716 106 638 0			■	■														
5	Rotary handle		8 712 000 129 0	20		■	■														
6	Shield		8 711 000 302 0	18		■	■														
7	Cover		8 717 207 680 0	16		■	■														
8	Backpanel		8 717 207 679 0	35		■	■														
9	Back cover		8 716 109 543 0	32		■	■														
10	Keypad Rubber L/H		8 716 109 547 0	19		■	■														
11	Keypad Rubber R/H		8 716 109 548 0	18		■	■														
12	Cable strain relief		8 712 201 007 0			■	■														
13	PIVOT LH SUPPORT		8 716 106 569 0			■	■														
14	PIVOT RH SUPPORT		8 716 106 568 0			■	■														
15	BRACKET SUPPORT		8 716 106 521 0			■	■														
16	Fusing element T2,5A (10x)		1 904 521 342 0	20		■	■														
16	Fusing element T2.5A		8 716 115 677 0			■	■														
17	Fusing element T0,5A		1 904 522 730 0	15		■	■														
18	Fusing element T1,6A		1 904 522 740 0	15		■	■														
19	Screw kb 40x25 wn 1411		2 914 211 309 0	17		■	■														
20	Transformer		8 717 201 052 0	29		■	■														
21	M4 X 14 PT POZI PAN Z/P SCREW		2 914 201 304 0			■	■														
22	Harness Main		8 716 112 610 0		LPG,NG	■	■														Before FD886
22	Harness- Main		8 718 680 658 0		LPG,NG	■	■														After FD887
23	Ignition lead		8 716 106 739 0	31		■	■														
24	Fan Harness		8 714 411 327 0	27		■	■														
25	Fusing element set T0,5/t1,6/t2,5/t3,15A		8 744 503 010 0	11		■	■														
26	Code Plug 1100		8 714 431 100 0	15	NG	■															
26	Code Plug 1101		8 714 431 101 0			■															
26	Code Plug 1102		8 714 431 102 0	15	NG		■														
26	Code Plug 1103		8 714 431 103 0				■														
27	Pump cable		8 716 107 329 0	17		■	■														
28	Pressure gauge		8 717 208 107 0	27		■	■														
29	O-ring 6x2,5 (10x)		8 716 771 164 0	12		■	■														
30	Clamping spring		8 716 771 167 0	12		■	■														
31	Bracket pressure gauge		8 716 106 519 0	16		■	■														
33	Set of plugs		8 714 404 226 0	22		■	■														
34	HARNESS STEPPER MOTOR		8 716 106 852 0			■	■														
35	Strap Control Box		8 718 680 421 0			■	■														
36	Cable main		8 718 680 952 0			■	■														
24i 28i			Electrical Assembly D																	6	

Spare parts list



6720900291.AE

Frame
D

24i 28i

8

**ADDITIONAL SPARE PARTS
FOR APPLIANCE
NOT DRAWN**

9099

6720900999.AA

Additional Spare Part
D

9

24i 28i

List of translations

Pos			
1			
2			
3			
4			
5			
7			
8			
9			
10			
12			
13			
14			
15			
16			
17			
18			
19			
20			
21			
23			
24			
25			
26			
27			
28			
29			
30			
31			
32			
2			
1			
2			
4			
5			
6			
7			
8			
9			
10			
11			
12			
16			
17			
18			
19			
20			
21			
23			
24			
25			
26			
27			
30			
4			
1			
2			
Pos			

List of translations

3				
4				
5				
6				
7				
8				
9				
10				
11				
13				
14				
15				
16				
17				
18				
19				
20				
21				
22				
24				
25				
26				
27				
29				
30				
31				
32				
33				
34				
35				
36				
37				
39				
40				
5				
1				
2				
3				
4				
5				
6				
7				
8				
9				
10				
11				
13				
14				
15				
16				
17				
18				
19				
20				
21				
22				
23				
Pos				

List of translations

24				
25				
26				
27				
28				
29				
30				
31				
32				
33				
34				
35				
36				
37				
38				
39				
40				
42				
43				
44				
45				
46				
47				
48				
49				
50				
52				
53				
54				
55				
56				
57				
58				
59				
60				
61				
63				
64				
65				
67				
68				
69				
71				
6				
1				
2				
3				
4				
5				
6				
7				
8				
9				
10				
11				
Pos				
12				

List of translations

13				
14				
15				
16				
17				
18				
19				
20				
21				
22				
23				
24				
25				
26				
27				
28				
29				
30				
31				
33				
34				
35				
36				
8				
1				
2				
3				
4				
5				
6				
7				
8				
9				
10				
11				
12				
13				
14				
15				
16				
17				
18				
19				
20				
21				
22				
23				
24				
25				
9				
Pos				

