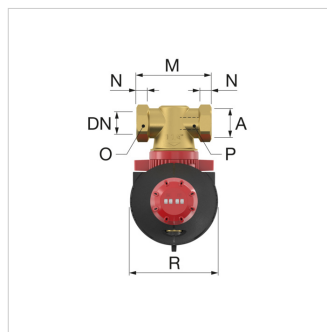
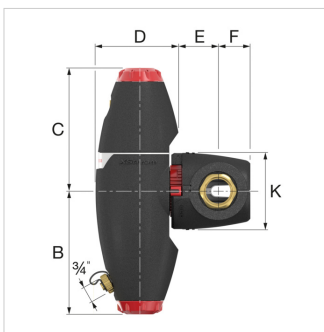


**Product Data Sheet (2021-03-26)**
**11062 - XStream Vent-Clean 1" F**


Description		XStream Vent-Clean 1" F
Article		11062
Model		Flamco XStream Vent-Clean
Connection	[DN]	25
	(A)	G 1" F
$K_v^*$ [m <sup>3</sup> /h] (ECO)		26.7
$K_v^*$ [m <sup>3</sup> /h] (MAX)		7.8
Weight [kg]		2.0


**Packaging info**

Unity of use	1 Piece
Packaging form	carton
Packaging dimensions (H. x W. x L.)	365 x 136 x 235 mm
Weight	2.1 Kilogram

### Classification General Data

<b>Etim Group</b>	Filters/separators
<b>Etim Class</b>	Air-/dirt separator for central heating/cooling system
<b>Product Name</b>	XStream Vent-Clean (DN25) G1"F
<b>Brand</b>	Flamco
<b>Product Type</b>	G 1"G 1"

### Attributes

<b>Separator type</b>	Air/dirt
<b>Suitable for heating</b>	Yes
<b>Suitable for cooling</b>	Yes
<b>Nominal inner diameter</b>	1 inch (25)
<b>Construction length [mm]</b>	110
<b>Article compression class</b>	PN 10
<b>Surface protection</b>	Untreated
<b>Operating principle</b>	Magnet
<b>Suitable for open system</b>	No
<b>With blow-off valve</b>	Yes
<b>Suitable for closed system</b>	Yes
<b>With dismountable filter</b>	No
<b>Filter mesh density [mm]</b>	0
<b>With automatic de-aerator</b>	Yes
<b>With integrated replenishment automat</b>	No
<b>With couplers</b>	No
<b>Inlet/outlet offset distance [mm]</b>	0

Type	Dimensions										
	B [mm]	C [mm]	D [mm]	E [mm]	F [mm]	K [mm]	M [mm]	N [mm]	O [mm]	P [mm]	R [mm]
XStream Vent-Clean 22	149	149	106	44	41	102	119	24	32	24	114
XStream Vent-Clean 3/4 F	149	149	106	44	41	102	100	14	32		114
XStream Vent-Clean 1 M	149	149	106	44	41	102	100	13		27	114
XStream Vent-Clean 1 F	181	181	121	53	45	114	110	16	41		130
XStream Vent-Clean 1 1/4 M	181	181	121	53	45	114	110	14		34	130
XStream Vent-Clean 1 1/4 F	181	181	125	57	48	114	110	18	50		130
XStream Vent-Clean 1 1/2 F	208	208	139	62	51	132	129	18	55		145
XStream Vent-Clean 2 F	208	208	139	65	58	132	140	23	70		145

